

FORGED BRASS MINI-BALL VALVE

- 600 W.O.G. 150 SWP
- STEM DOUBLE O-RINGS

- BLOW-OUT PROOF STEM
- 180° OPERATION HANDLE

4	BALL DISC PACKING	TEFLON-PTFE	8	NUT	STEEL-ZINC PLATED
3	BALL DISC	BRASS-ASTM B16 C36000 ASTM B124 C37700	7	STEM O-RING	NBR
2	END PLUG	BRASS-ASTM B124 C37700	6	STEM	BRASS-ASTM B16 C36000
1	BODY	BRASS-ASTM B124 C37700	5	HANDLE	STEEL-NICKEL PLATED
NO.	PART NAME	MATERIAL	NO.	PART NAME	MATERIAL

LIST OF PARTS AND MATERIALS

• FEMALE × HOSE BARB

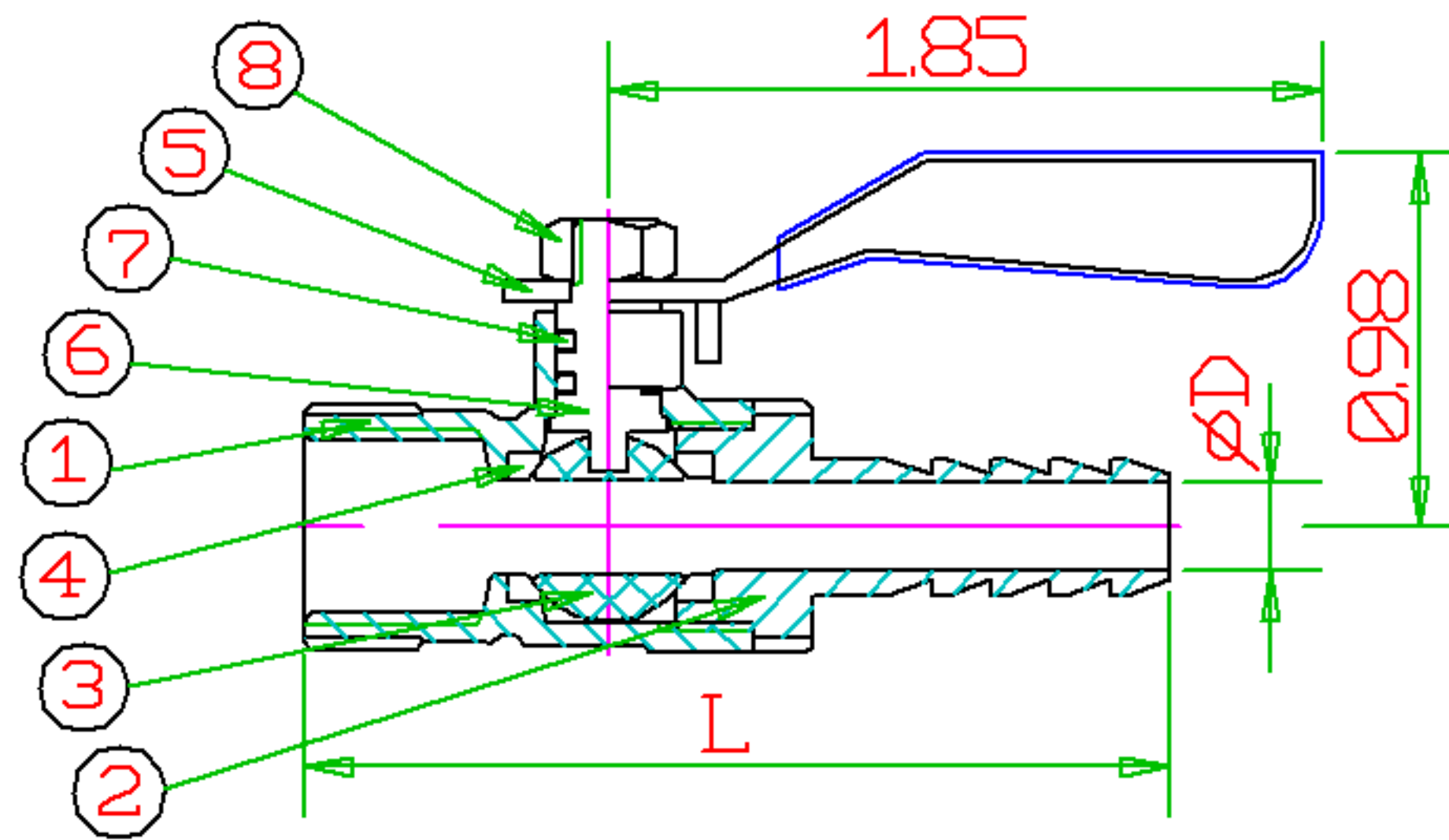
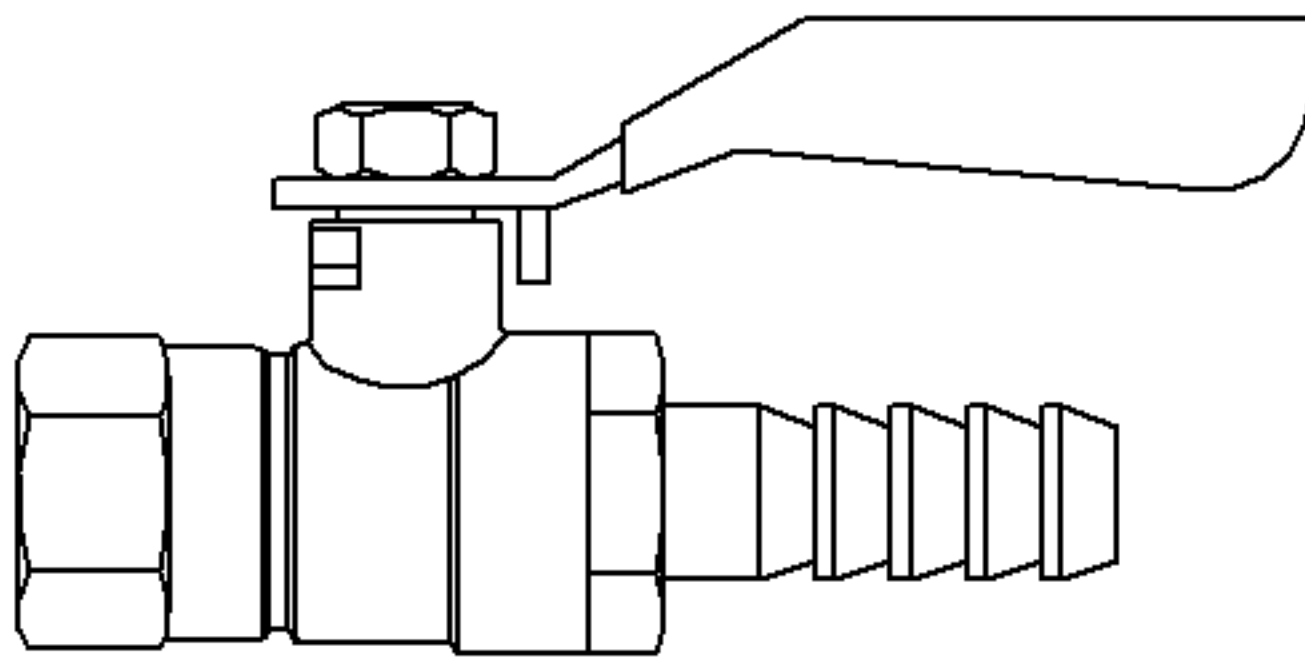


FIG	Size	Dim.-inch	
		L	D
1009	1/8-3/16H	1.77	0.09
1019	1/8-1/4H	2.09	0.16
2019	1/4-1/4H	2.12	0.16
2029	1/4-5/16H	2.28	0.24
2039	1/4-3/8H	2.28	0.25
3029	3/8-5/16H	2.32	0.24
3039	3/8-3/8H	2.32	0.25

• MALE × HOSE BARB

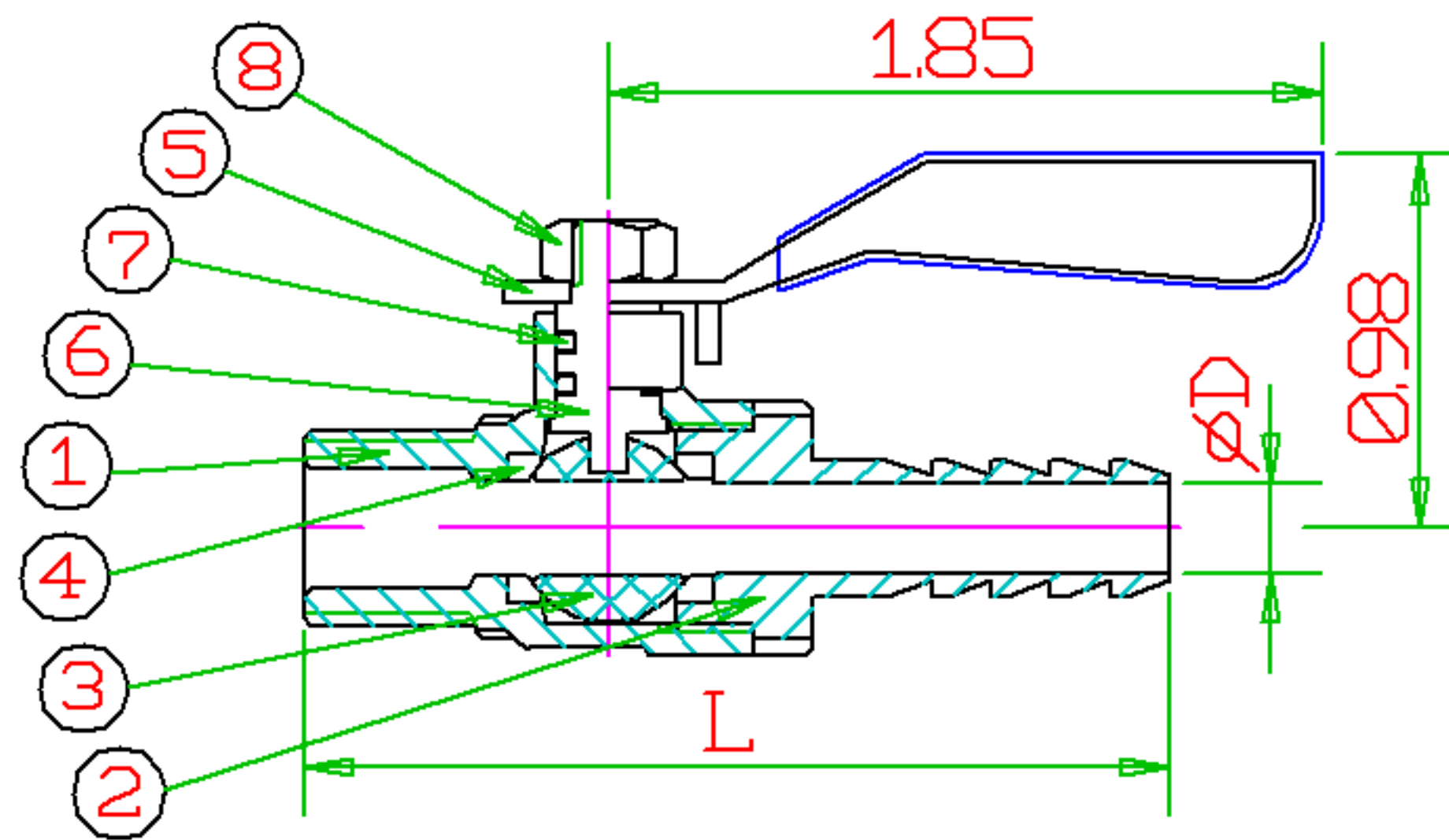
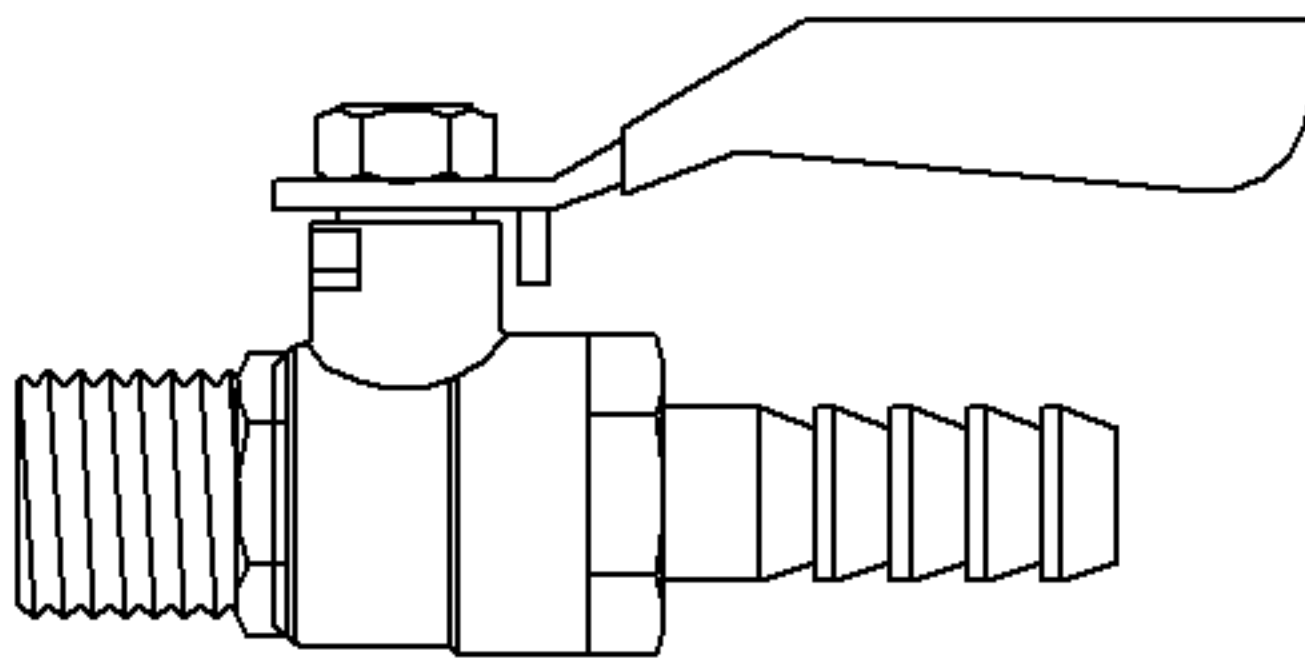


FIG	Size	Dim.-inch	
		L	D
1109	1/8-3/16H	1.77	0.09
1119	1/8-1/4H	2.09	0.16
2119	1/4-1/4H	2.12	0.16
2129	1/4-5/16H	2.28	0.24
2139	1/4-3/8H	2.28	0.25
3129	3/8-5/16H	2.32	0.24
3139	3/8-3/8H	2.32	0.25

• HOSE BARB × HOSE BARB

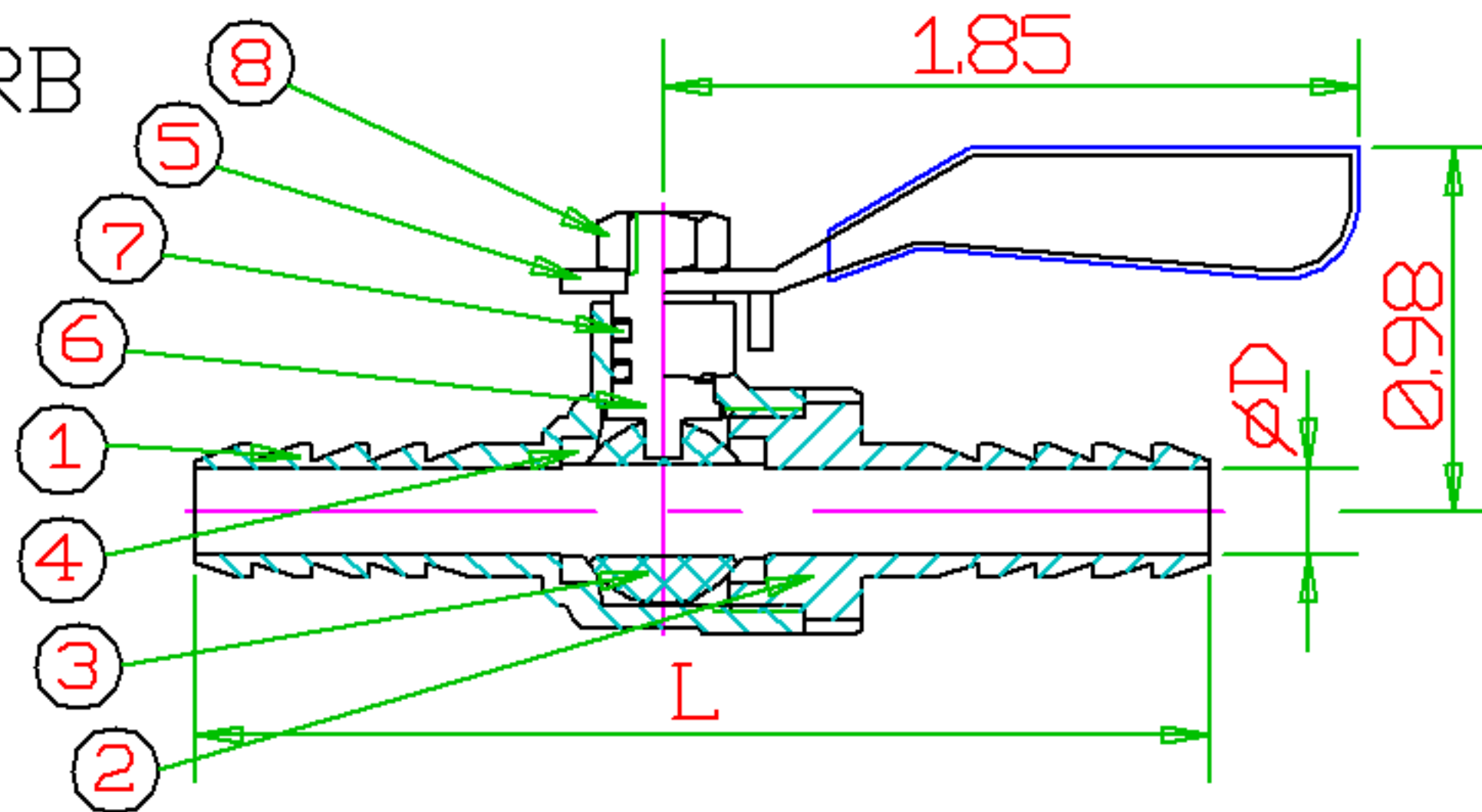
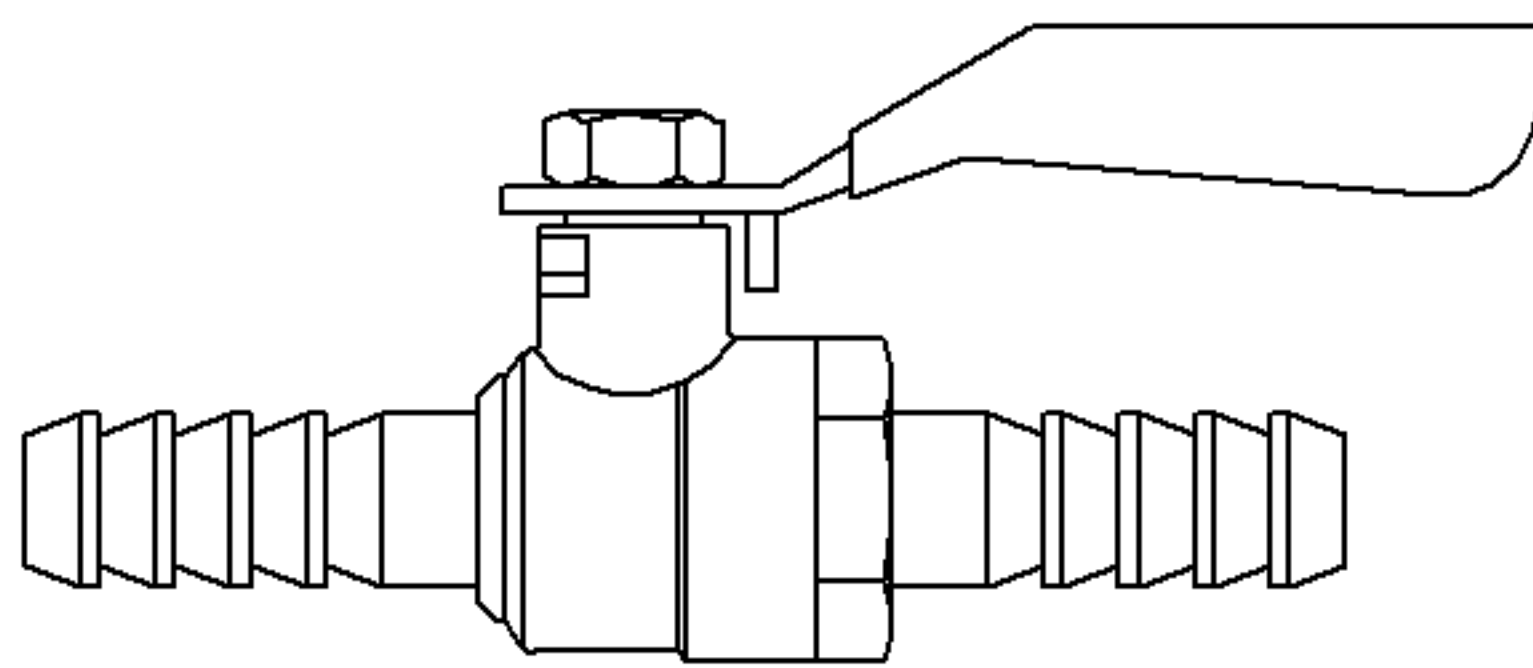
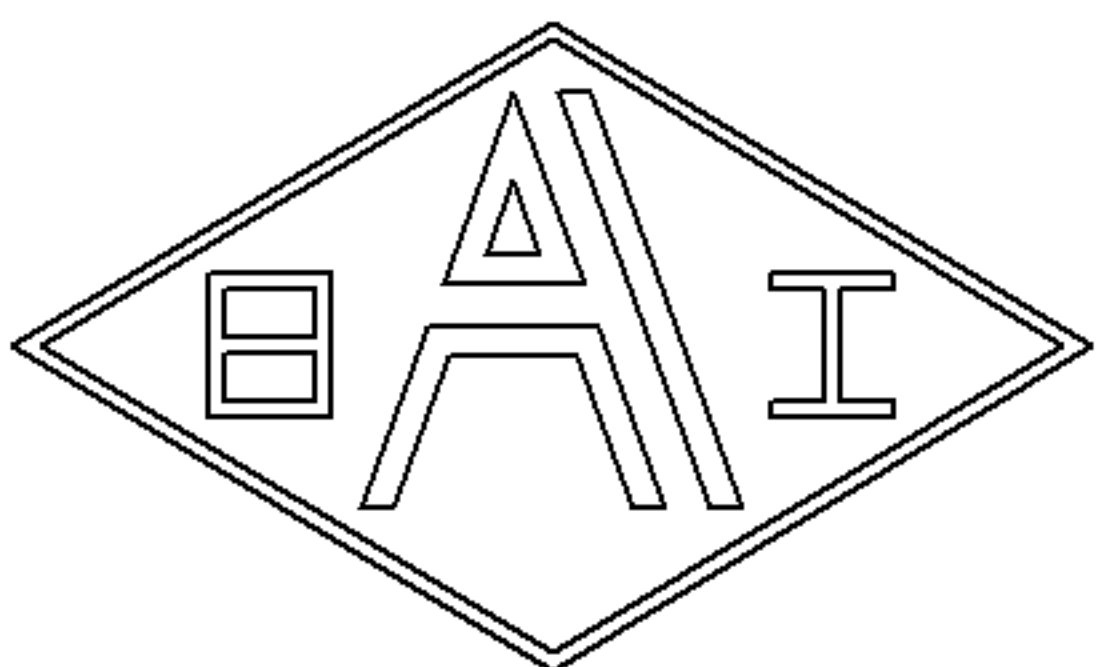


FIG	Size	Dim.-inch	
		L	D
1919	1/4H-1/4H	2.44	0.16
2929	5/16H-5/16H	2.76	0.24
3939	3/8H-3/8H	2.76	0.25



NIGO INDUSTRIAL CO., LTD.

NO.9, LANE 93, CHANG LU ROAD, CHANGHUA
TAIWAN, R.O.C.

TEL : 886-4-7633995

FAX : 886-4-7614355