

FORGED BRASS MINI-BALL VALVE

- 600 W.O.G. 150 SWP
- STEM DOUBLE O-RINGS

- BLOW-OUT PROOF STEM
- 180° OPERATION HANDLE

4	BALL DISC PACKING	TEFLON-PTFE	8	NUT	STEEL-ZINC PLATED
3	BALL DISC	BRASS-ASTM B16 C36000 ASTM B124 C37700	7	STEM O-RING	NBR
2	END PLUG	BRASS-ASTM B124 C37700	6	STEM	BRASS-ASTM B16 C36000
1	BODY	BRASS-ASTM B124 C37700	5	HANDLE	STEEL-NICKEL PLATED
NO.	PART NAME	MATERIAL	NO.	PART NAME	MATERIAL

LIST OF PARTS AND MATERIALS

• FEMALE × FEMALE

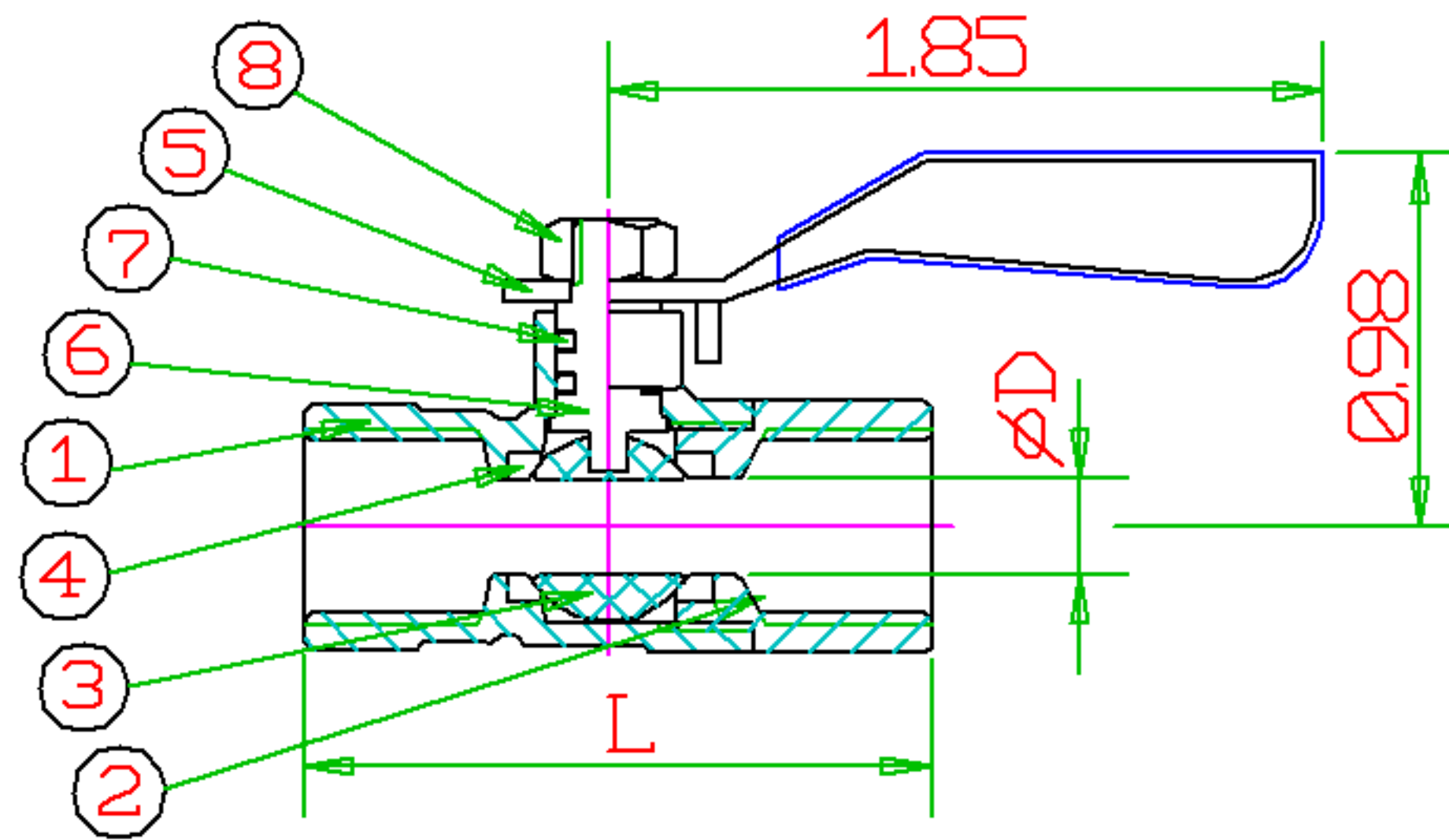
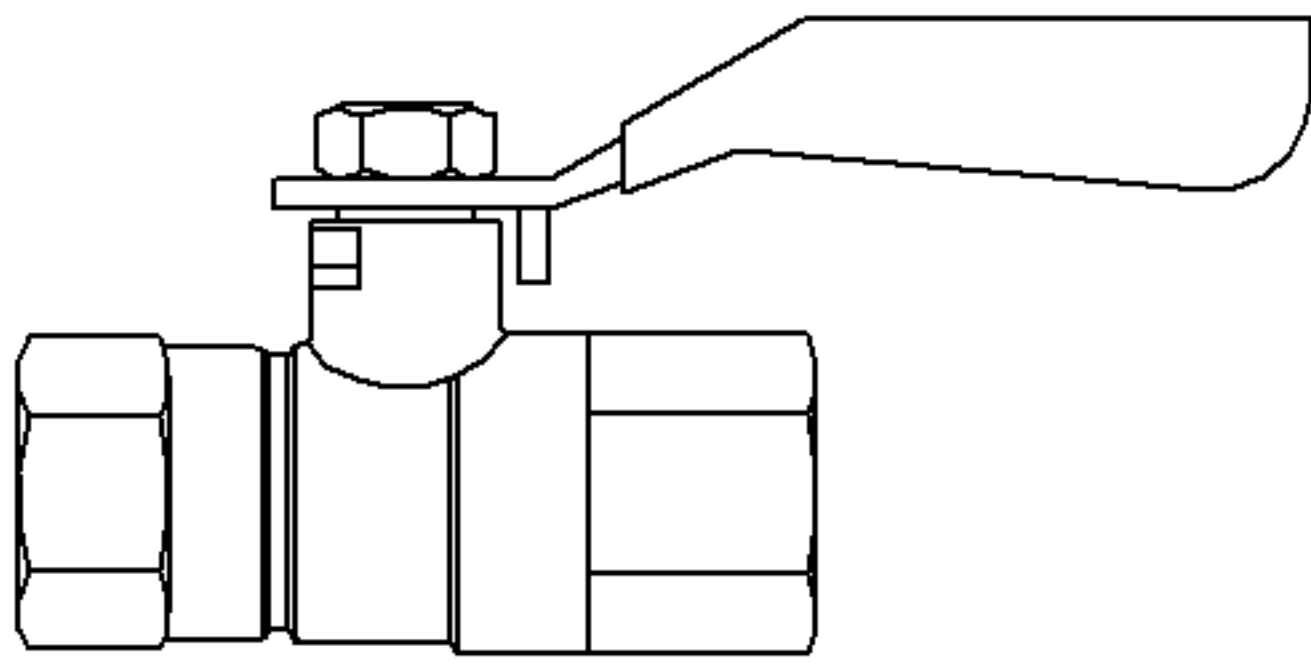


FIG	Size	Dim.-inch	
		L	D
1010	1/8-1/8	1.57	0.25
2020	1/4-1/4	1.65	0.25
2030	1/4-3/8	1.77	0.25
2040	1/4-1/2	1.89	0.25
3030	3/8-3/8	1.81	0.25

• MALE × FEMALE

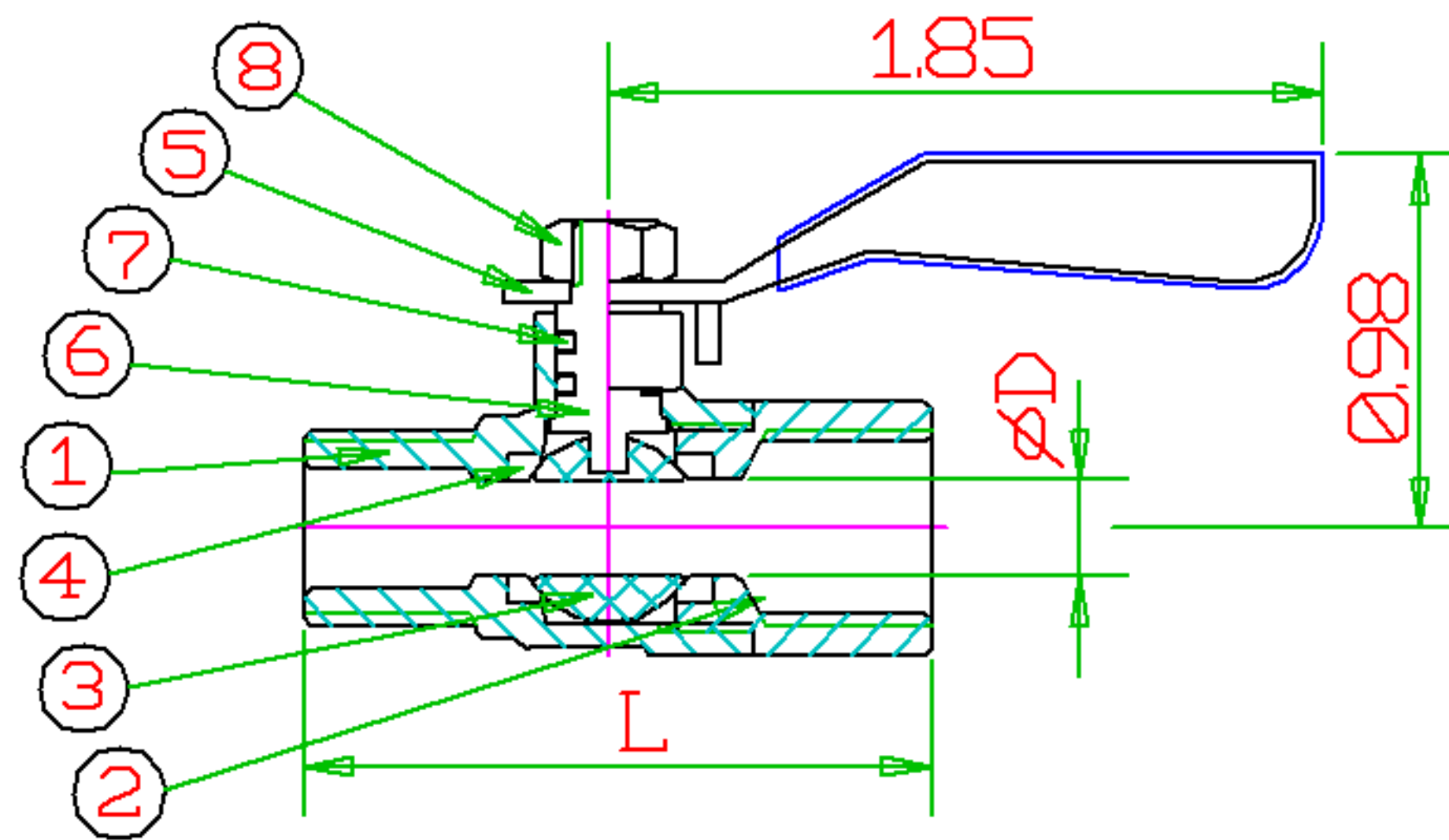
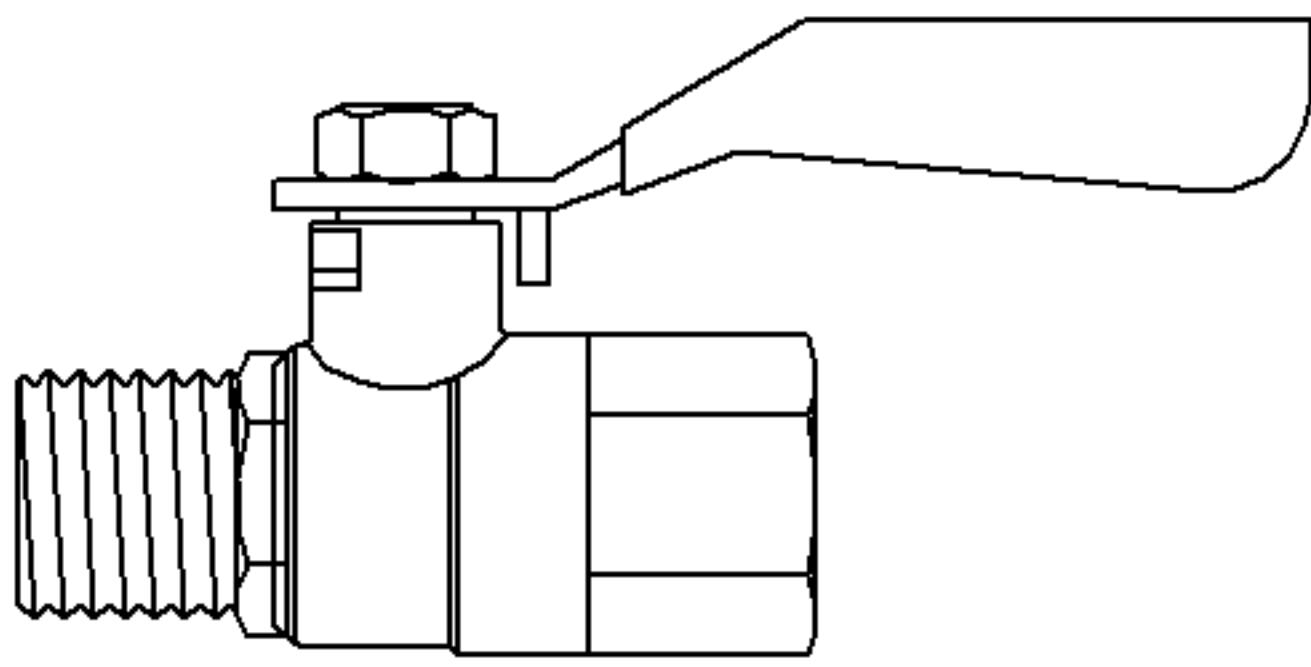


FIG	Size	Dim.-inch	
		L	D
1110	1/8-1/8	1.57	0.25
2110	1/4-1/8	1.61	0.25
2120	1/4-1/4	1.65	0.25
2130	1/4-3/8	1.77	0.25
2140	1/4-1/2	1.89	0.25
3130	3/8-3/8	1.81	0.25
3140	3/8-1/2	1.93	0.25

• MALE × MALE

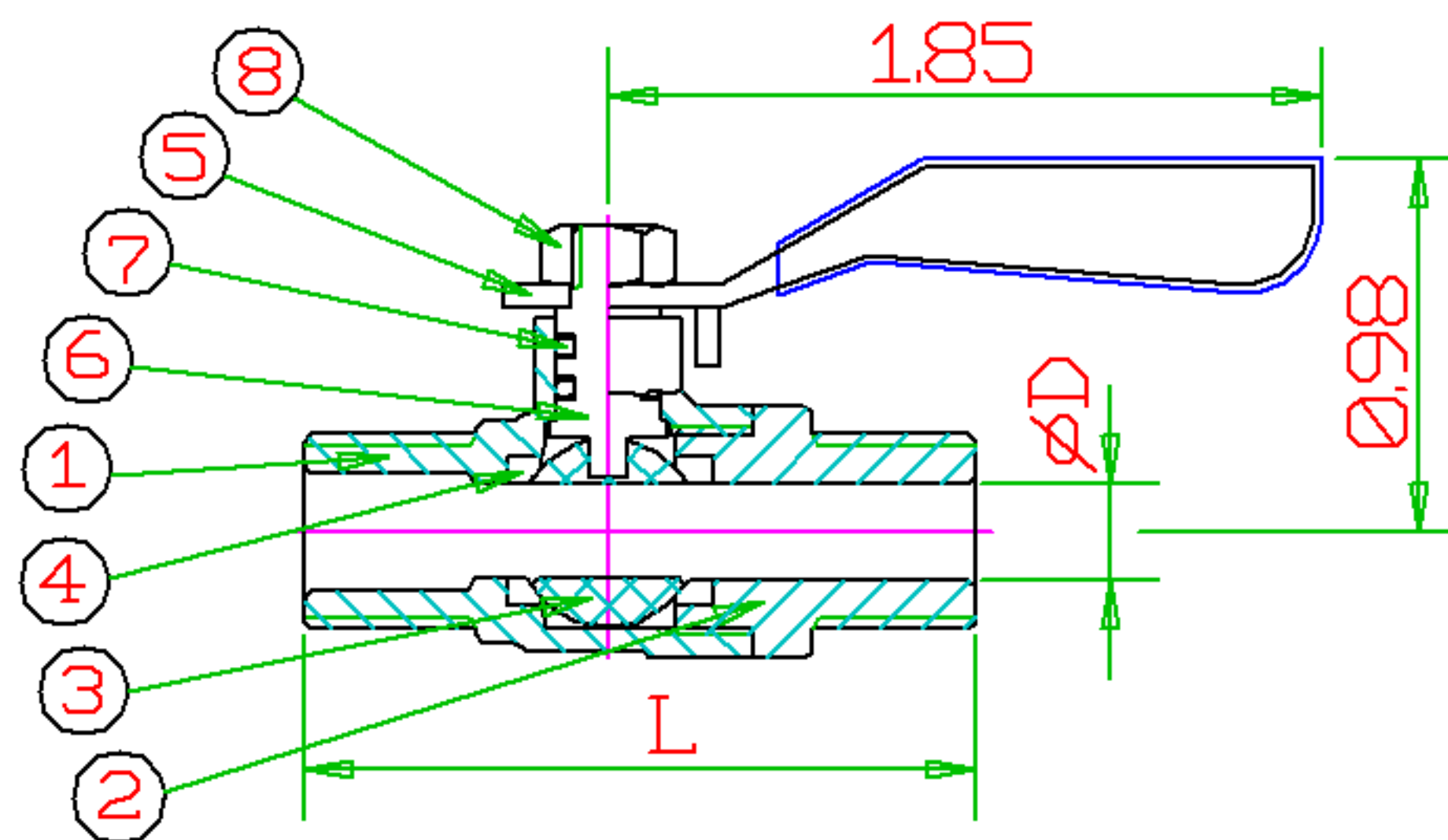
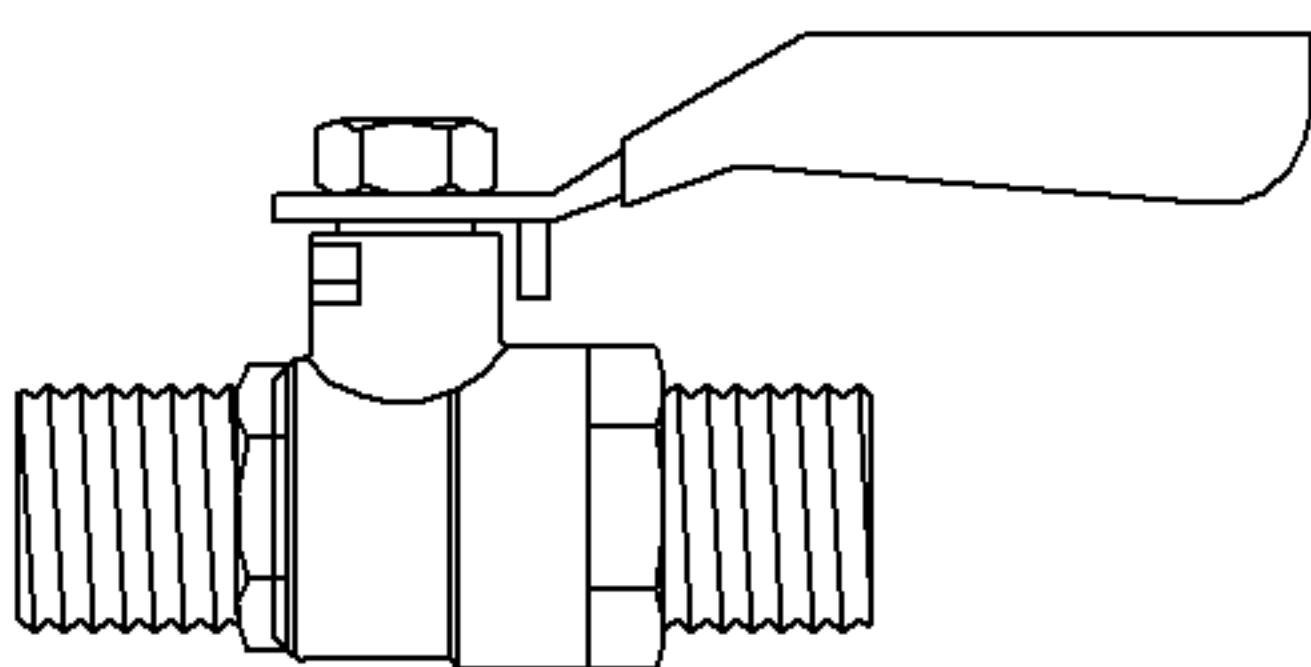
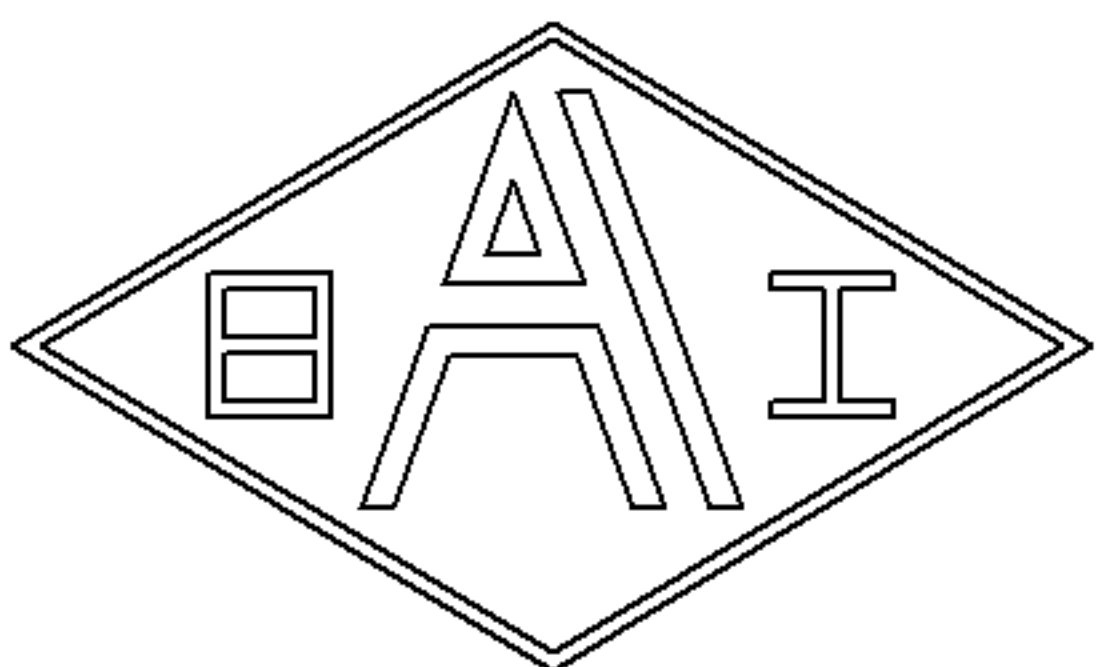


FIG	Size	Dim.-inch	
		L	D
1111	1/8-1/8	1.73	0.24
2121	1/4-1/4	1.77	0.25
2131	1/4-3/8	1.85	0.25
2141	1/4-1/2	1.97	0.25
3131	3/8-3/8	1.89	0.25



NIGO INDUSTRIAL CO., LTD.

NO.9, LANE 93, CHANG LU ROAD, CHANGHUA
TAIWAN, R.O.C.

TEL : 886-4-7633995

FAX : 886-4-7614355